

# DT100 SPYDER



## STANDARD FEATURES

High Torque Drive system  
Extreme Gradeability - market leading  
Rear Oriented Boom position  
Auto Levelling Basket  
Maximum Approach Angle - market leading  
OSHA and ANSI 92.20 Standards certified  
Dual Power Sources - Diesel Engine & standard 110V/60Hz Electricity  
High Pressure Water/Air connection to Basket  
110V Power Supply to the Basket  
Automatic Stabilization  
Negative Working Height - market leading  
Remote Management and Diagnostic software  
Radio Control  
Up & Over - market leading  
Invisible Boom

## ADDITIONAL/OPTIONAL FEATURES

Non-marking Tracks	Custom Paint Options available (Upper and Lower sections)
Brushes for Boom Protection	Cage for materials handling
Optional 1 Man Basket	Extra Large Basket
Optional Cages	Fibreglass Basket
Optional Crane Hook	Hook & Crane certification
110V Hydraulic Generator	
Auto-close Functionality	

 **LITHIUM version available**



## TECHNICAL SPECIFICATIONS

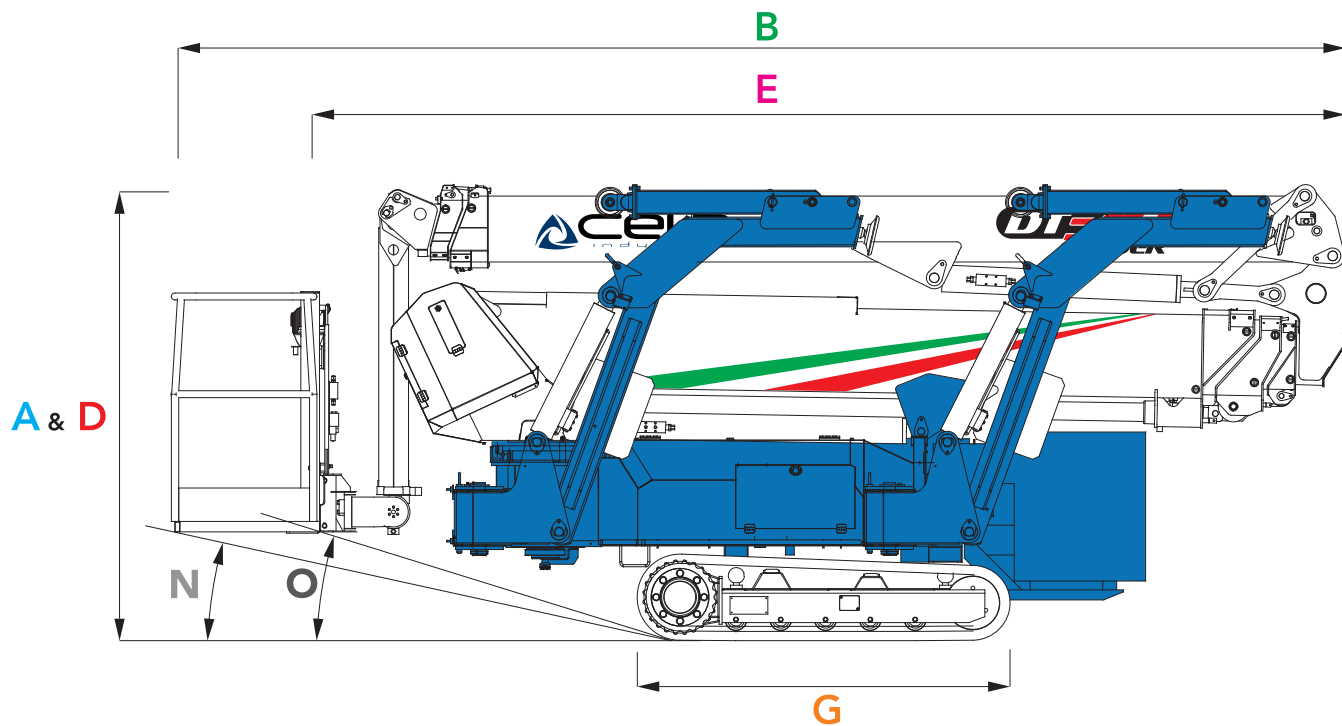
### MEASUREMENTS

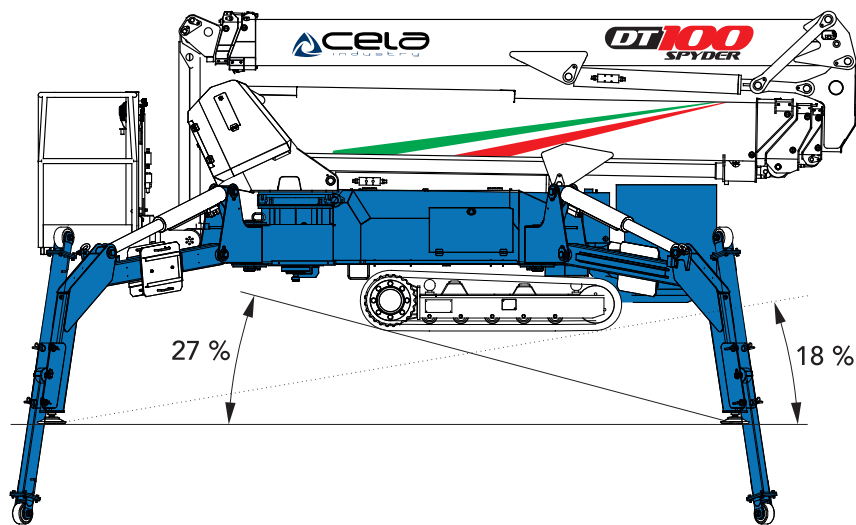
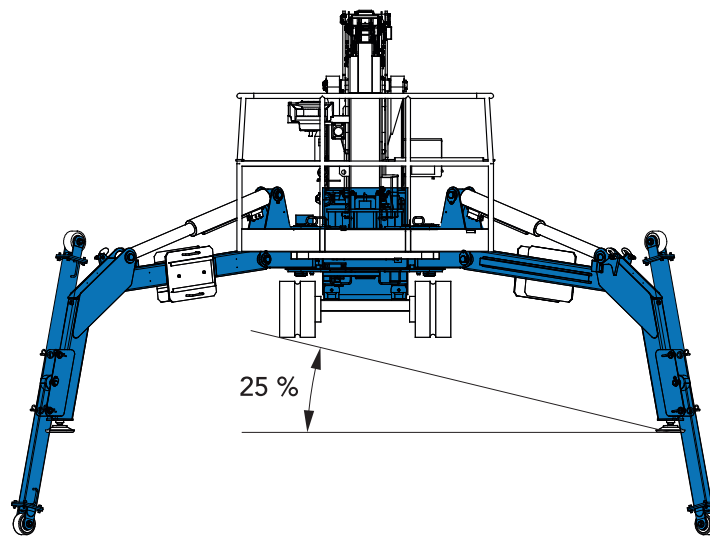
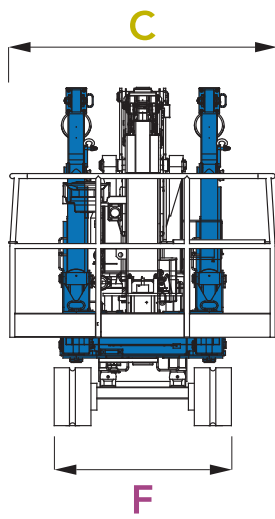
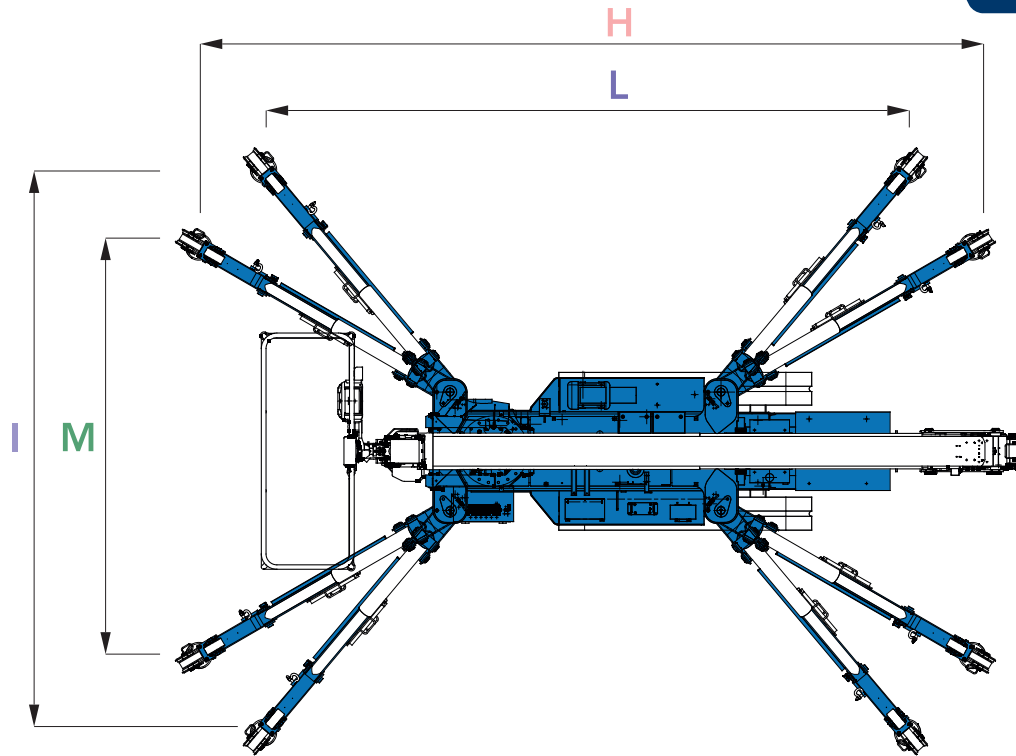
<b>A</b>	Height Stowed with basket	7' 6"
<b>B</b>	Overall Length with basket	19' 3"
<b>C</b>	Overall Width with basket	5' 11"
<b>D</b>	Height Stowed without basket	7' 6"
<b>E</b>	Overall Length without basket	17' 4"
<b>F</b>	Overall Width without basket	3' 11"
<b>G</b>	Track L x W	6' 2" x 3' 11"
<b>H</b>	Length outrigger footprint. Standard	16' 1"
<b>I</b>	Width outrigger footprint. Standard	14' 1"
<b>L</b>	Length outrigger footprint. One side narrow	19' 3"
<b>M</b>	Width outrigger footprint. One side narrow	10' 2"

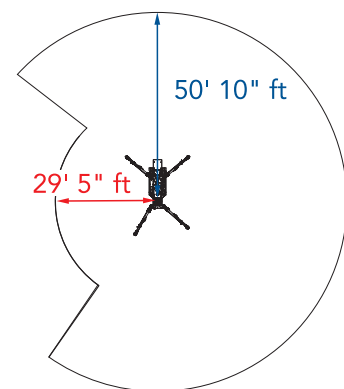
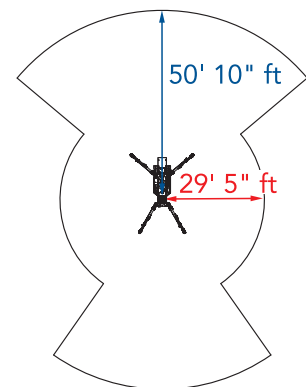
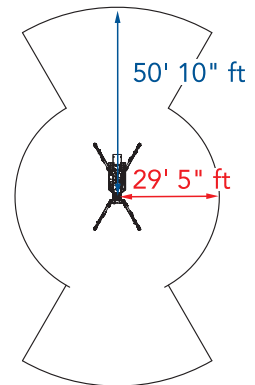
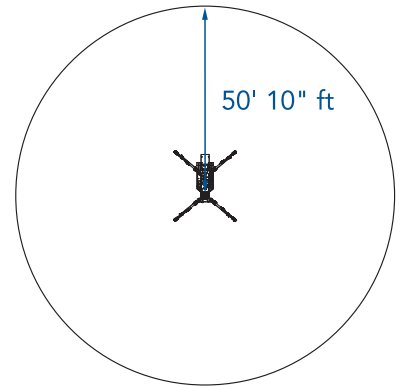
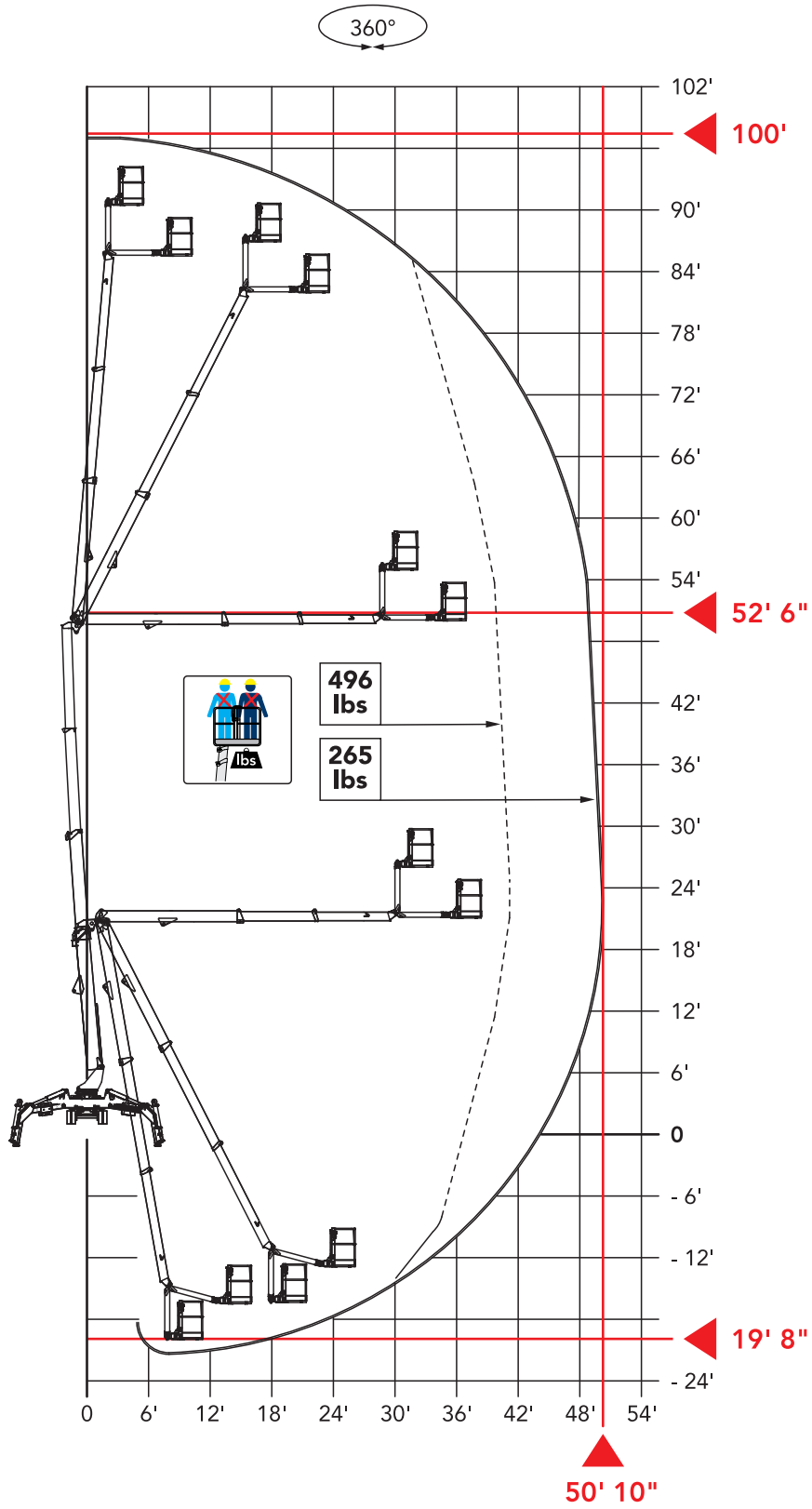
Total weight	11023 lbs
Live load in travelling position	1.023 psi
Live load in working position	0.334 psi

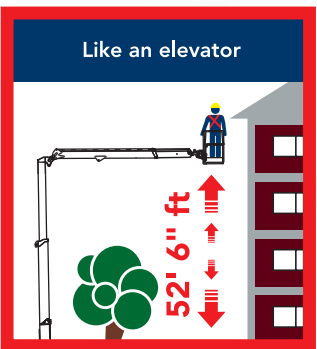
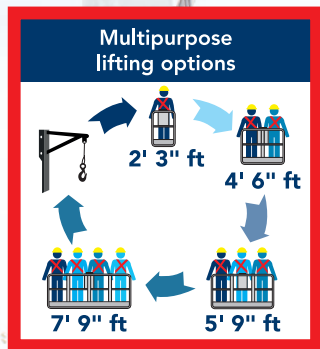
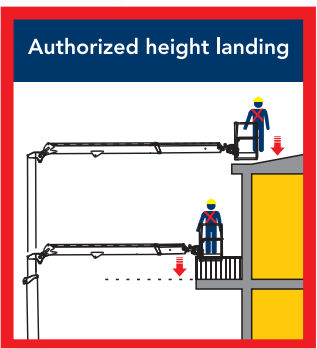
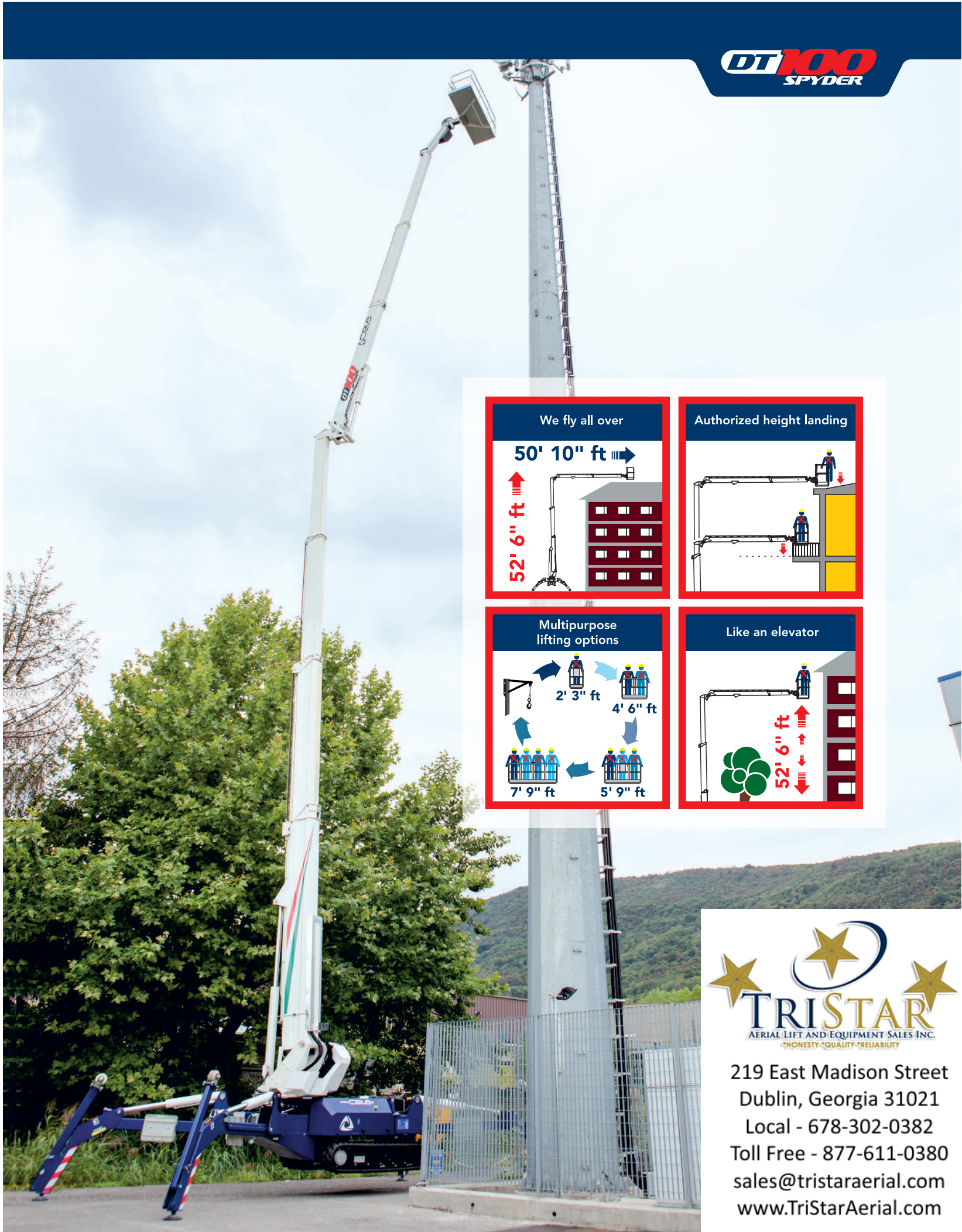
### PERFORMANCE

Platform working height (max)	100'
Horizontal outreach (max)	50' 10"
Negative work	- 19' 8"
Up & over clearance	52' 6"
Basket Capacity	496 lbs
Hook Capacity	551 lbs
Moveable jib	160°
Basket rotation	180°
Turret rotation	360°
Gradeability (max)	30 %
<b>N</b> Angle of Approach (max with Basket)	21 %
<b>O</b> Angle of Approach (max without Basket)	30 %
Max Slope Angle for Stabilization	27 %
Dual power sources	Diesel / 110V electricity
Travel speed fast	1.32 mph
Travel speed slow	0.59 mph









219 East Madison Street  
Dublin, Georgia 31021  
Local - 678-302-0382  
Toll Free - 877-611-0380  
sales@tristaraerial.com  
www.TriStarAerial.com