

DT50 SPYDER



STANDARD FEATURES

High Torque Drive system
Extreme Gradeability - market leading
Rear Oriented Boom position
Auto Levelling Basket
Maximum Approach Angle - market leading
OSHA and ANSI 92.20 Standards certified
Dual Power Sources - Gasoline Engine & standard 110V/60Hz Electricity
High Pressure Water/Air connection to Basket
110V Power Supply to the Basket
Automatic Stabilization
Negative Working Height - market leading
Remote Management and Diagnostic software
Radio Control
Up & Over - market leading
Invisible Boom

ADDITIONAL/OPTIONAL FEATURES

Non-marking Tracks	Custom Paint Options available (Upper and Lower sections)
Brushes for Boom Protection	Additional 2-year warranty (For a full 3-year total)
Optional 1 Man Basket	Extra Large Basket
Auto-close Functionality	



TECHNICAL SPECIFICATIONS

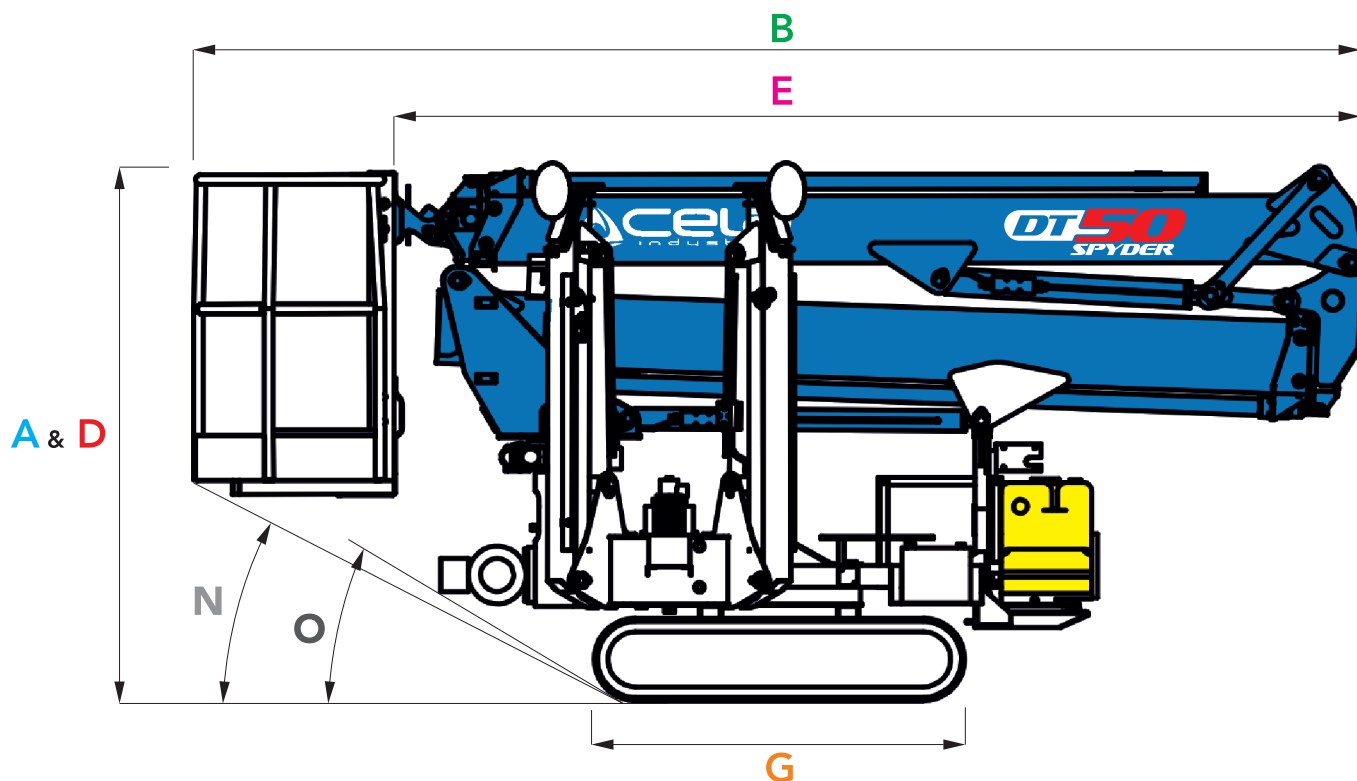
MEASUREMENTS

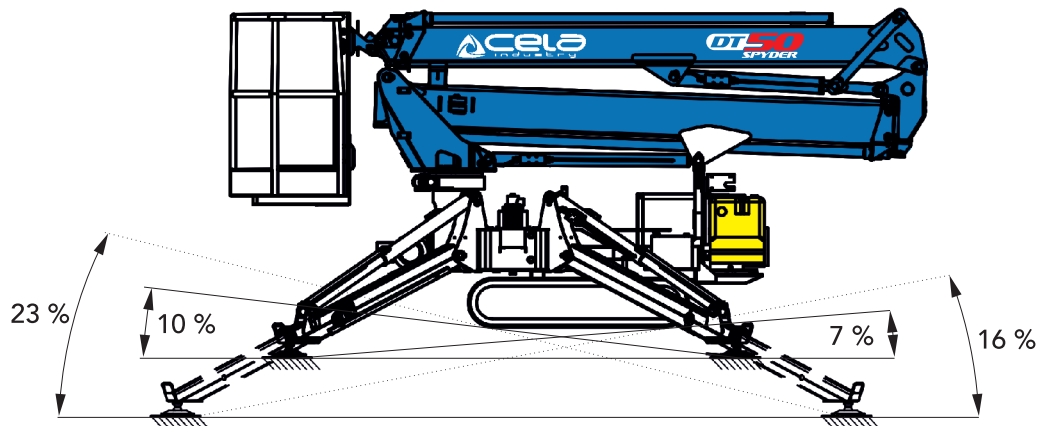
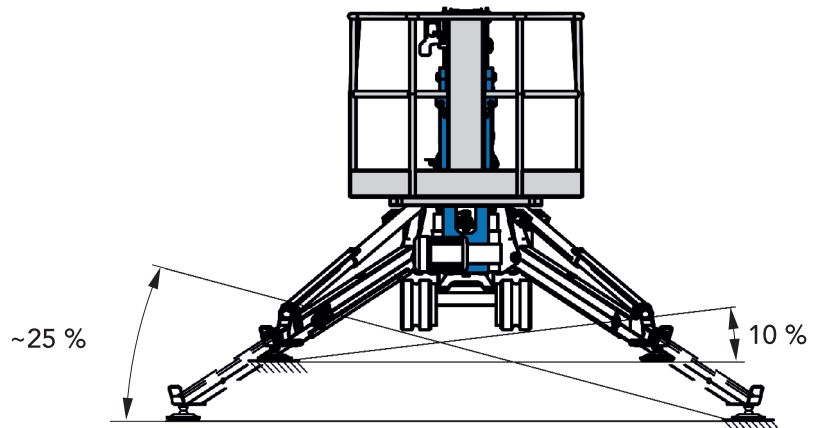
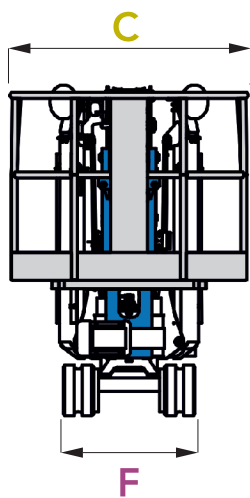
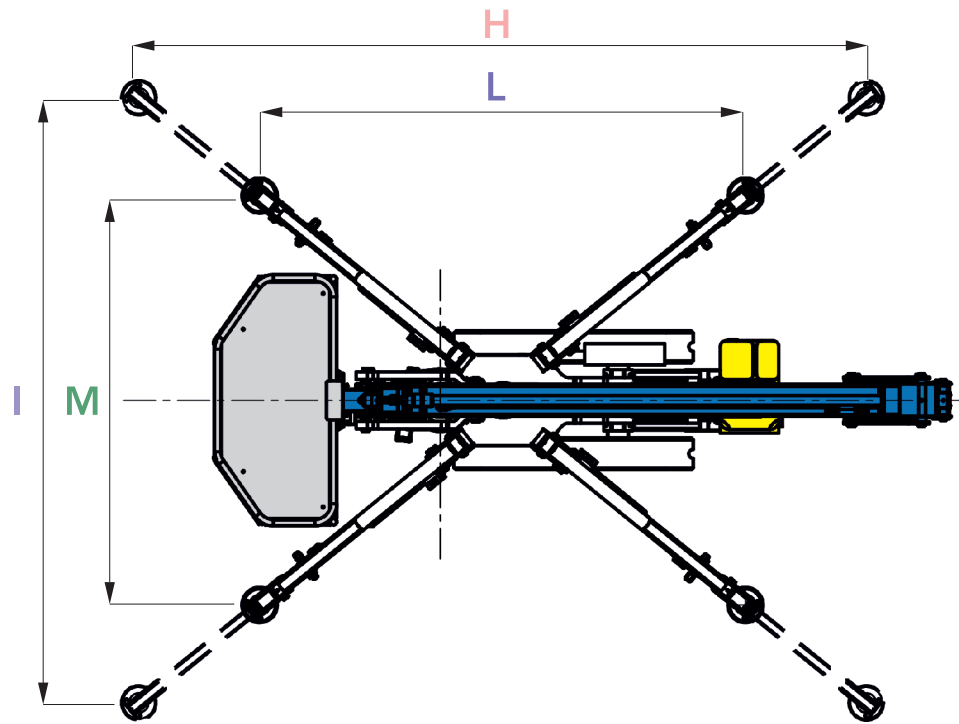
A	Height stowed with basket	6' 5"
B	Overall Length with basket	13' 11"
C	Overall Width with basket	4' 7"
D	Height stowed without basket	6' 5"
E	Overall Length without basket	11' 10"
F	Overall Width without basket	2' 7"
G	Track L x W	4' 5" x 2' 7"
H	Length outrigger footprint. Standard	13' 5"
I	Width outrigger footprint. Standard	11' 2"
L	Length outrigger footprint. One side narrow	9'
M	Width outrigger footprint. One side narrow	7' 7"

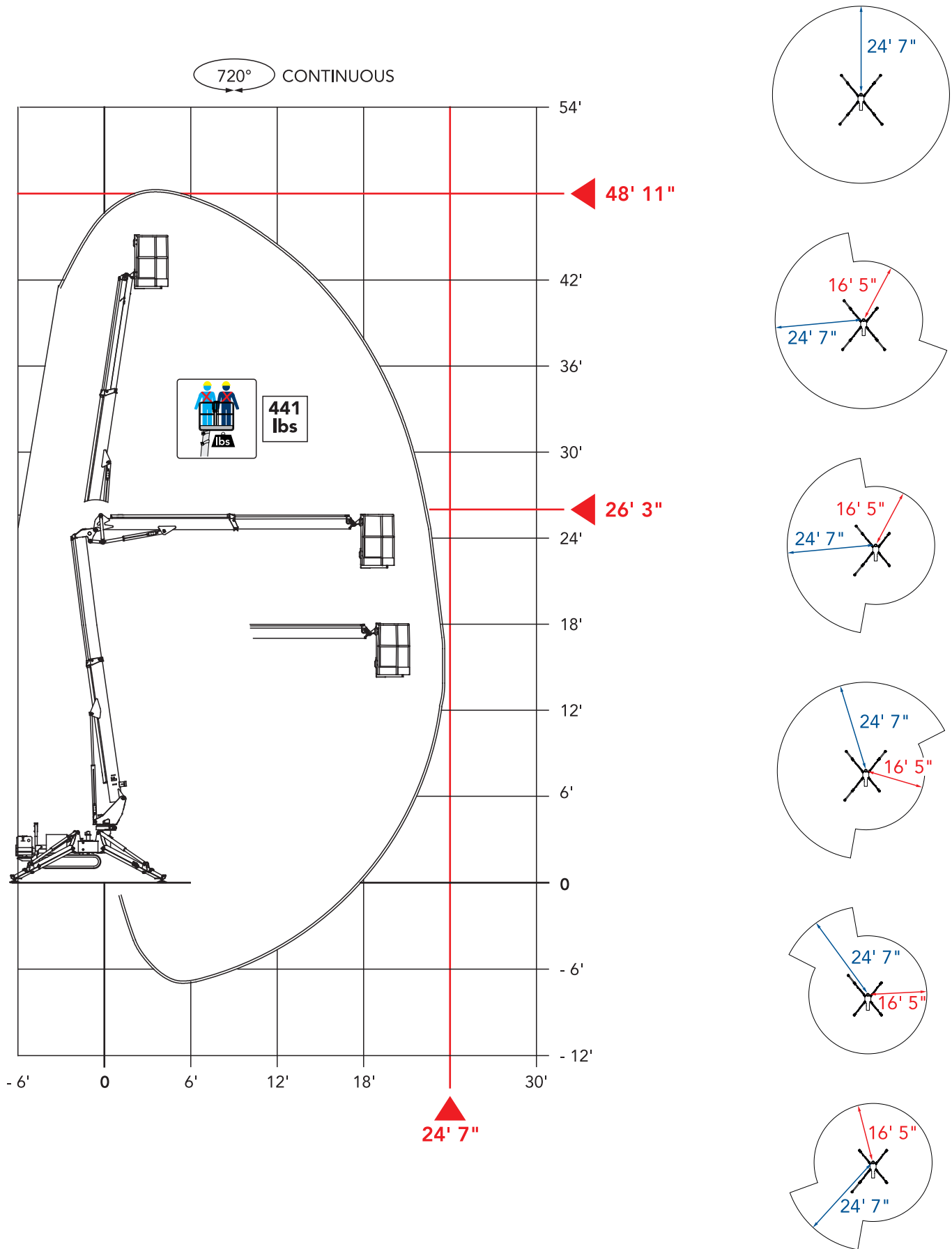
PERFORMANCE

	Platform working height (max)	48' 11"
	Horizontal outreach (max)	24' 7"
	Up & over clearance	26' 3"
	Basket Capacity	441 lbs
	Basket rotation	180°
	Turret rotation	720°
	Gradeability (max)	60 %
N	Angle of Approach (max with Basket)	51 %
O	Angle of Approach (max without Basket)	60 %
	Max Slope Angle for Stabilization	23 %
	Dual power sources	Gasoline / 110v electricity

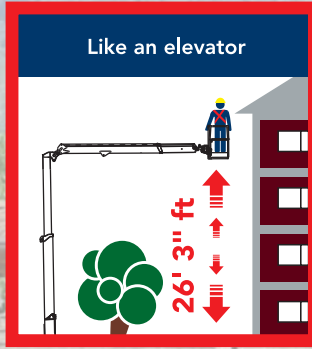
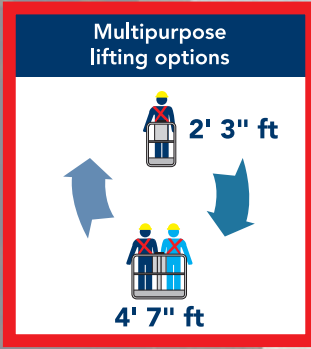
Total weight 3527 lbs







AUTHORIZED HEIGHT LANDING



219 East Madison Street
Dublin, Georgia 31021
Local - 678-302-0382
Toll Free - 877-611-0380
sales@tristaraerial.com
www.TriStarAerial.com