

**DT72**  
**SPYDER**

 **TRISTAR AERIAL**  
LIFT & EQUIPMENT SALES, INC.

OPTIONAL NON-MARKING TRACKS



 **cello**  
industry

## STANDARD FEATURES

- High Torque Drive system
- Extreme Gradeability - market leading
- Rear Oriented Boom position
- Auto Levelling Basket
- Maximum Approach Angle - market leading
- OSHA and ANSI 92.20 Standards certified
- Dual Power Sources - Diesel Engine & standard 110V/60Hz Electricity
- High Pressure Water/Air connection to Basket
- 110V Power Supply to the Basket
- Automatic Stabilization
- Negative Working Height - market leading
- Remote Management and Diagnostic software
- Radio Control
- Up & Over - market leading
- Invisible Boom

## ADDITIONAL/OPTIONAL FEATURES

Non-marking Tracks	Custom Paint Options available (Upper and Lower sections)
Brushes for Boom Protection	Additional 2-year warranty (For a full 3-year total)
Optional 1 Man Basket	Cage for materials handling
Optional Cages	Extra Large Basket
Optional Crane Hook	Fibreglass Basket
Auto-close Functionality	Hook & Crane certification

 **LITHIUM version available**



## TECHNICAL SPECIFICATIONS

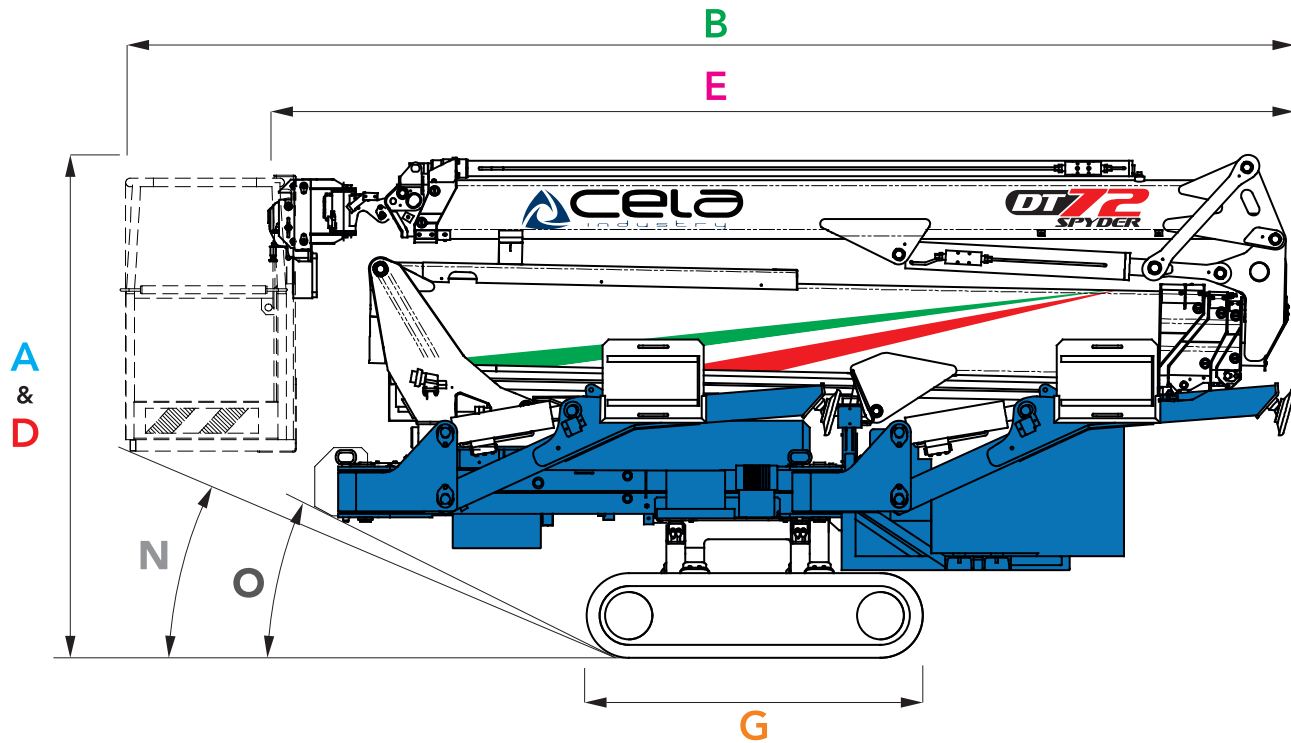
### MEASUREMENTS

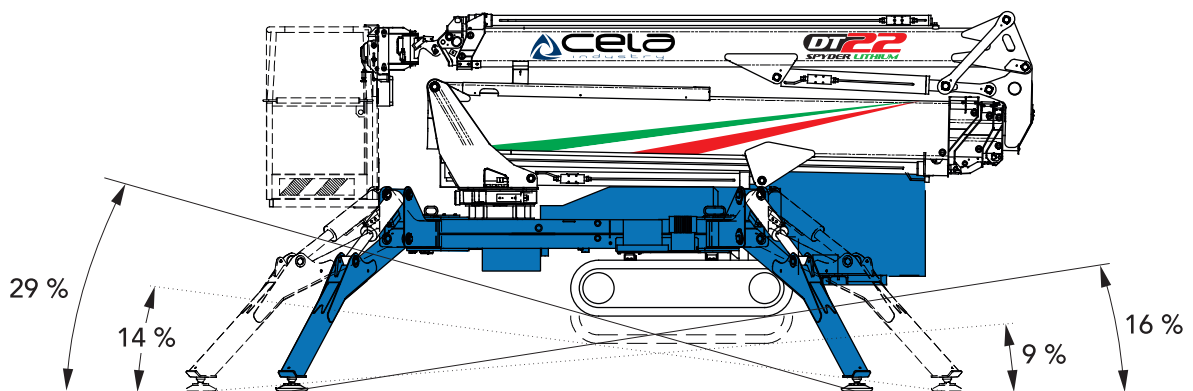
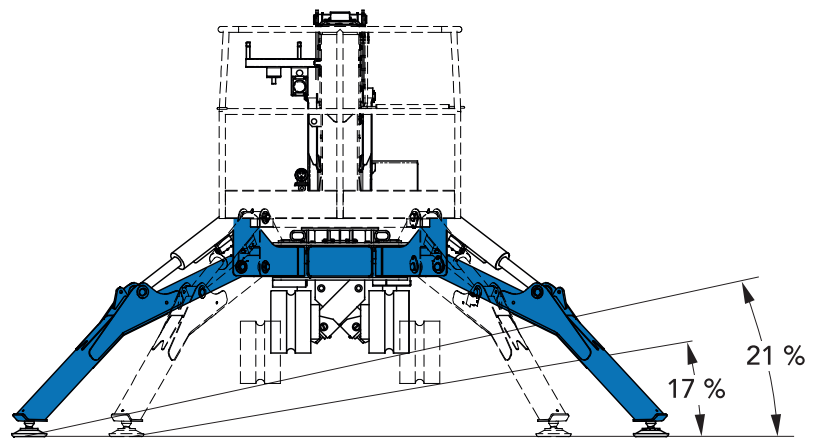
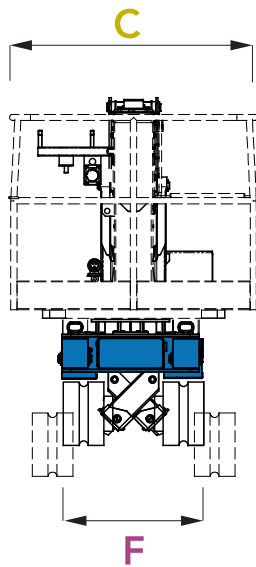
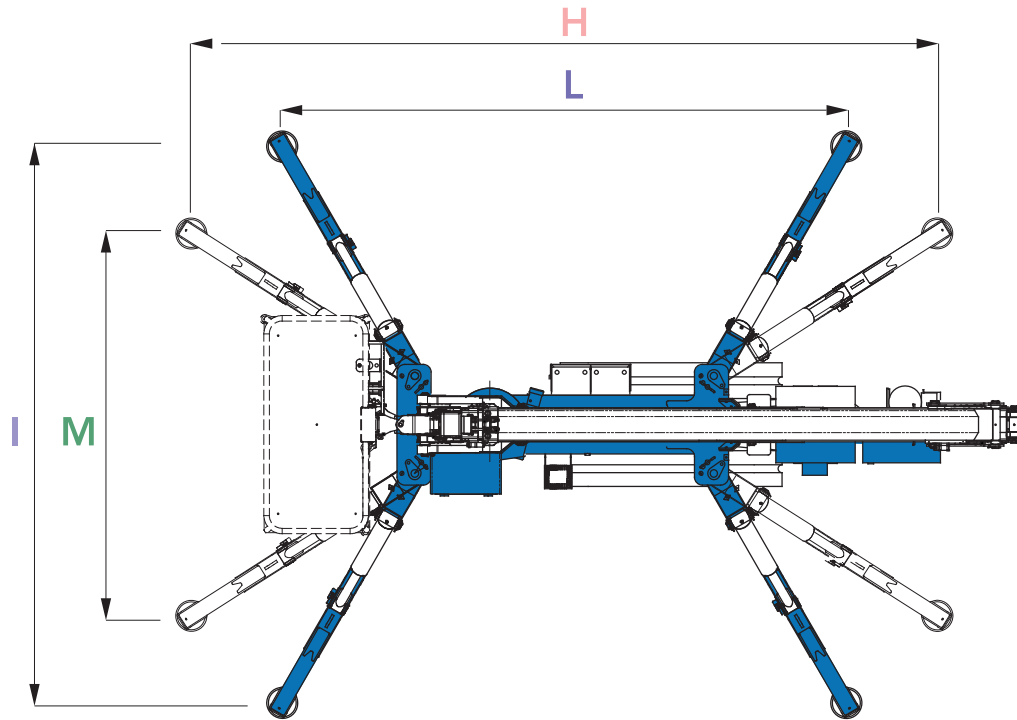
<b>A</b>	Height Stowed with basket	7' 0"
<b>B</b>	Overall Length with basket	16' 2"
<b>C</b>	Overall Width with basket	4' 7"
<b>D</b>	Height Stowed without basket	6' 5"
<b>E</b>	Overall Length without basket	14' 3"
<b>F</b>	Overall Width without basket	2' 8"
<b>G</b>	Track L x W	4' 8" x 3' 9"
<b>H</b>	Length outrigger footprint. Standard	12'
<b>I</b>	Width outrigger footprint. Standard	11' 10"
<b>L</b>	Length outrigger footprint. One side narrow	15' 10"
<b>M</b>	Width outrigger footprint. One side narrow	8' 1"

Total weight	6062 lbs
Live load in travelling position	0.624 psi
Live load in working position	0.363 psi

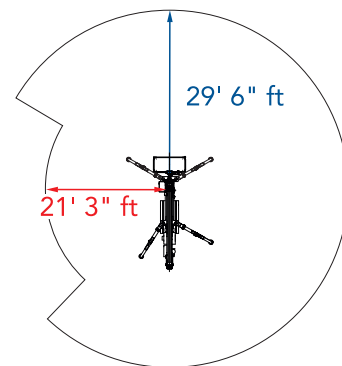
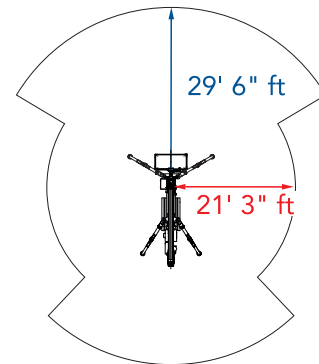
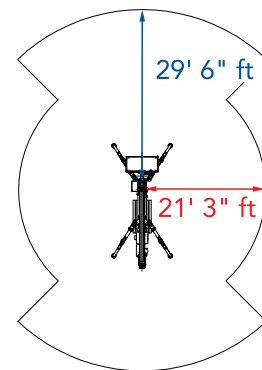
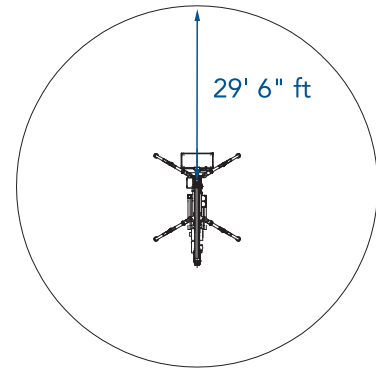
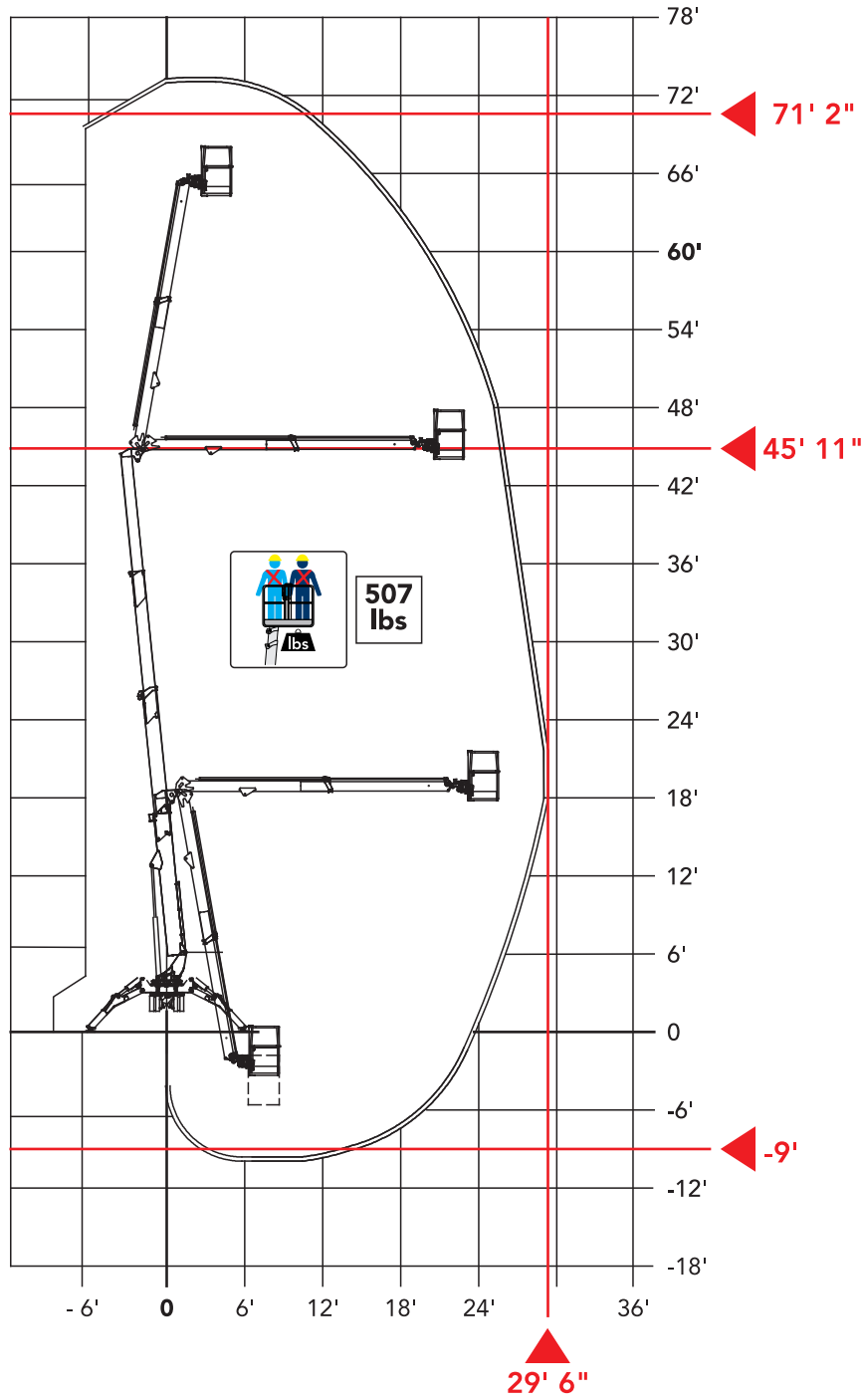
### PERFORMANCE

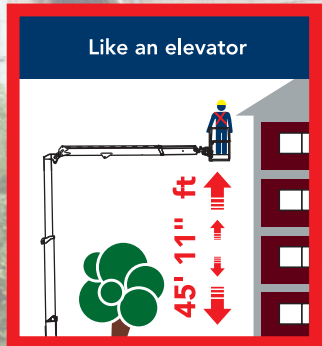
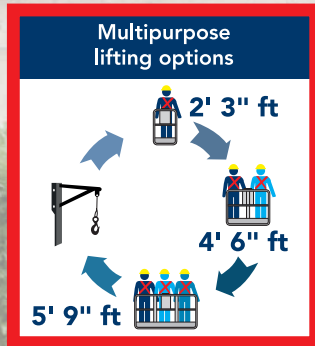
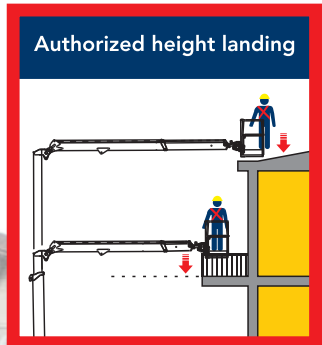
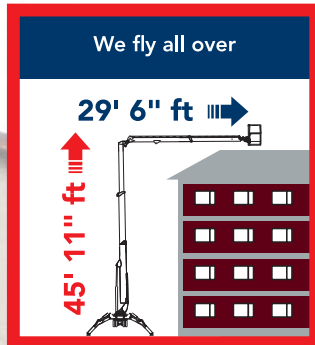
Platform working height (max)	71' 2"
Horizontal outreach (max)	29' 6"
Negative work	- 9'
Up & over clearance	45' 11"
Basket Capacity	507 lbs
Hook Capacity	573 lbs
Basket rotation	180°
Turret rotation	720°
Gradeability (max)	49 %
Angle of Approach (max with Basket)	42 %
<b>N</b> Angle of Approach (max without Basket)	49 %
<b>O</b> Max Slope Angle for Stabilization	29 %
Dual power sources	Diesel / 110V electricity
Travel speed	0.70 mph





720° CONTINUOUS





**AUTOMATIC STABILIZATION**



219 East Madison Street  
Dublin, Georgia 31021  
Local - 678-302-0382  
Toll Free - 877-611-0380  
sales@tristaraerial.com  
www.TriStarAerial.com