



PEGASUS CLASSIC

60.16 | 60.21 | 50.25 | 75.25 | 60.26 | 60.30



PERFORMANCE

Vehicle model	PEGASUS 60.16	PEGASUS 60.21	PEGASUS 50.25	PEGASUS 75.25	PEGASUS 60.26	PEGASUS 60.30
Maximum capacity	6000 kg (13228 lb)	6000 kg (13228 lb)	5000 kg (11023 lb)	7500 kg (16535 lb)	6000 kg (13228 lb)	6000 kg (13228 lb)
Maximum lifting height	16.2 m (53.1 ft)	20.5 m (67.3 ft)	24.1 m (79.1 ft)	24.5 m (80.4 ft)	25.7 m (84.3 ft)	29.6 m (97.1 ft)
Maximum horizontal extension	13.7 m (44.9 ft)	18.1 m (59.4 ft)	21.5 m (70.5 ft)	20.7 m (67.9 ft)	21.9 m (71.9 ft)	26 m (85.3 ft)
Fork swiveling angle	133°	133°	133°	133°	133°	133°
Towing force	9400 daN (21132 lbf)	9400 daN (21132 lbf)	9400 daN (21132 lbf)	10000 daN (22481 lbf)	10000 daN (22481 lbf)	10000 daN (22481 lbf)
Maximum climb angle	40%	40%	40%	40%	40%	40%
Unladen mass	17320 kg (38184 lb)	17700 kg (39022 lb)	17740 kg (39110 lb)	21550 kg (47510 lb)	21000 kg (46297 lb)	22150 kg (48832 lb)
Max speed (referred to wheels with maximum permitted diameter)	40 km/h (24.9 mph)	35 km/h (21.7 mph)	40 km/h (24.9 mph)	40 km/h (24.9 mph)	40 km/h (24.9 mph)	40 km/h (24.9 mph)

BOOM

Vehicle model	PEGASUS 60.16	PEGASUS 60.21	PEGASUS 50.25	PEGASUS 75.25	PEGASUS 60.26	PEGASUS 60.30
Lifting	24.8 s	21.9 s	21.9 s	16 s	14.5 s	16 s
Descent	16.5 s	13.8 s	13.8 s	10.1 s	9.5 s	10.1 s
Extension	24.7 s	31.2 s	44.4 s	29 s	30 s	29 s
Retraction	11.6 s	17.4 s	23.1 s	14 s	15 s	14 s
Forward swiveling	5.7 s	3.7 s	3.7 s	2.1 s	2.1 s	2.1 s
Reverse swiveling	2.5 s	2.3 s	2.3 s	1.3 s	1.3 s	1.3 s

ENGINE

Vehicle model	PEGASUS 60.16	PEGASUS 60.21	PEGASUS 50.25	PEGASUS 75.25	PEGASUS 60.26	PEGASUS 60.30
Brand	Perkins	Perkins	Perkins	FPT	FPT	FPT
Nominal power	100 kW (134 HP)	100 kW (134 HP)	100 kW (134 HP)	125 kW (168 HP)	125 kW (168 HP)	125 kW (168 HP)
@rpm	2200 rpm	2200 rpm	2200 rpm	2200 rpm	2200 rpm	2200 rpm
Peak power	100 kW (134 HP)	100 kW (134 HP)	100 kW (134 HP)	127 kW (170 HP)	127 kW (170 HP)	127 kW (170 HP)
@rpm	2200 rpm	2200 rpm	2200 rpm	1900 rpm	1900 rpm	1900 rpm
Operation	4-stroke	4-stroke	4-stroke	4-stroke	4-stroke	4-stroke
Injection	Electronic, Common Rail	Electronic, Common Rail	Electronic, Common Rail	Electronic, Common Rail	Electronic, Common Rail	Electronic, Common Rail
Number and arrangement of cylinders	4, Vertical in line	4, Vertical in line	4, Vertical in line	4, Vertical in line	4, Vertical in line	4, Vertical in line
Displacement	3621 cm ³ (221 in ³)	3621 cm ³ (221 in ³)	3621 cm ³ (221 in ³)	4485 cm ³ (274 in ³)	4485 cm ³ (274 in ³)	4485 cm ³ (274 in ³)
Consumption	216 g/kWh (355.32 lb/Hp h)	216 g/kWh (355.32 lb/Hp h)	216 g/kWh (355.32 lb/Hp h)	280 g/kWh (460.60 lb/Hp h)	280 g/kWh (460.60 lb/Hp h)	280 g/kWh (460.60 lb/Hp h)
@rpm	1900 rpm	1900 rpm	1900 rpm	1900 rpm	1900 rpm	1900 rpm
Emission standard	Stage V	Stage V	Stage V	Stage V/Tier 4f	Stage V/Tier 4f	Stage V/Tier 4f
Exhaust gas treatment	DOC+DPF+SCR (with AdBlue)	DOC+DPF+SCR (with AdBlue)	DOC+DPF+SCR (with AdBlue)	DOC+SCRoF (AdBlue)	DOC+SCRoF (AdBlue)	DOC+SCRoF (AdBlue)
Cooling system	Liquid	Liquid	Liquid	Liquid	Liquid	Liquid
Intake	16-valve turbocharger with aftercooler	16-valve turbocharger with aftercooler	16-valve turbocharger with aftercooler	16-valve turbo compressor, aftercooler	16-valve turbo compressor, aftercooler	16-valve turbo compressor, aftercooler

DIFFERENTIAL AXLES

Vehicle model	PEGASUS 60.16	PEGASUS 60.21	PEGASUS 50.25	PEGASUS 75.25	PEGASUS 60.26	PEGASUS 60.30
Type of axles	2 steering, with 4 epicycloidal reduction gears	2 steering, with 4 epicycloidal reduction gears	2 steering, with 4 epicycloidal reduction gears	2 steering, with 4 epicycloidal reduction gears	2 steering, with 4 epicycloidal reduction gears	2 steering, with 4 epicycloidal reduction gears
Type of steering	4 wheels / transversal / 2 wheels	4 wheels / transversal / 2 wheels	4 wheels / transversal / 2 wheels	4 wheels / transversal / 2 wheels	4 wheels / transversal / 2 wheels	4 wheels / transversal / 2 wheels
FRONT AXLE	With transverse leveling device with control in the cab	With transverse leveling device with control in the cab	With transverse leveling device with control in the cab	With transverse leveling device with control in the cab	With transverse leveling device with control in the cab	With transverse leveling device with control in the cab
Rear axle	Oscillating with automatic lock	Oscillating with automatic lock	Oscillating with automatic lock	Swinging	Swinging	Swinging
Service braking	Oil bath with servo brake on front and rear axle with double hydraulic system	Oil bath on front and rear axles with servo brake with double hydraulic system	Oil bath with servo brake on front and rear axle with double hydraulic system	Oil bath with servo brake on front and rear axle with double hydraulic system	Oil bath with servo brake on front and rear axle with double hydraulic system	Oil bath with servo brake on front and rear axle with double hydraulic system
Parking braking	Negative actuation with electronic control	Negative actuation with electrical control	Negative actuation with electrical control	Negative actuation with electrical control	Negative actuation with electrical control	Negative actuation with electrical control

REFUELING

Vehicle model	PEGASUS 60.16	PEGASUS 60.21	PEGASUS 50.25	PEGASUS 75.25	PEGASUS 60.26	PEGASUS 60.30
Hydraulic system (total)	270 l (71,33 gal)	270 l (71,33 gal)	270 l (71,33 gal)	320 l (84,54 gal)	320 l (84,54 gal)	320 l (84,54 gal)
FUEL TANK	180 l (47,55 gal)	180 l (47,55 gal)	180 l (47,55 gal)	220 l (58,12 gal)	220 l (58,12 gal)	220 l (58,12 gal)
AdBlue tank	19 l (5,02 gal)	19 l (5,02 gal)	19 l (5,02 gal)	35 l (9,25 gal)	35 l (9,25 gal)	35 l (9,25 gal)

TIRES

Vehicle model	PEGASUS 60.16	PEGASUS 60.21	PEGASUS 50.25	PEGASUS 75.25	PEGASUS 60.26	PEGASUS 60.30
Standard tires	18R22.5"	18R22.5"	18R22.5"	18R22.5"	18R22.5"	18R22.5"



HYDRAULIC SYSTEM

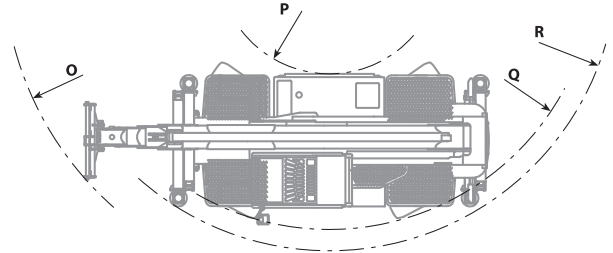
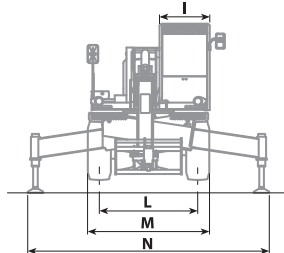
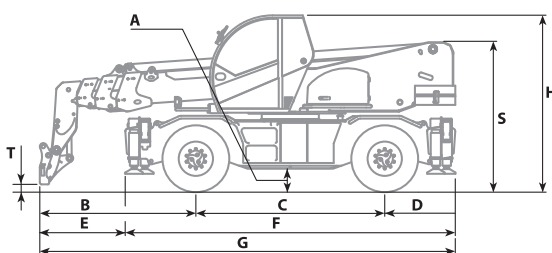
Vehicle model	PEGASUS 60.16	PEGASUS 60.21	PEGASUS 50.25	PEGASUS 75.25	PEGASUS 60.26	PEGASUS 60.30
Hydraulic pump type	Variable displacement pump with Load Sensing for power steering and movements. Gear pump for auxiliary services.	Variable displacement pump with Load Sensing for power steering and movements. Gear pump for auxiliary services.	Variable displacement pump with Load Sensing for power steering and movements. Gear pump for auxiliary services.	Variable displacement pump with Load Sensing for power steering and movements	Variable displacement pump with Load Sensing for power steering and movements	Variable displacement pump with Load Sensing for power steering and movements
Hydraulic pump capacity	190 l/min (50.2 gal/min)	190 l/min (50.2 gal/min)	190 l/min (50.2 gal/min)	290 l/min (76.6 gal/min)	290 l/min (76.6 gal/min)	290 l/min (76.6 gal/min)
Max. operating pressure	30 MPa (4351 psi)	30 MPa (4351 psi)	30 MPa (4351 psi)	30 MPa (4351 psi)	30 MPa (4351 psi)	30 MPa (4351 psi)
Distributor control	Proportional 5 in 1 joystick	Proportional 5 in 1 joystick	Proportional 5 in 1 joystick	Dual proportional Joystick	Dual proportional Joystick	Dual proportional Joystick
Distributor type	Hydraulic in 5 sections with "Load Sensing" proportional electronic servo-control with "Flow Sharing", 5 simultaneous movements with independent maximum speed control of each movement. Continuous oil function on hydraulic socket.	Hydraulic in 5 sections with "Load Sensing" proportional electronic servo-control with "Flow Sharing", 5 simultaneous movements with independent maximum speed control of each movement. Continuous oil function on hydraulic socket.	Hydraulic in 5 sections with "Load Sensing" proportional electronic servo-control with "Flow Sharing", 5 simultaneous movements with independent maximum speed control of each movement. Continuous oil function on hydraulic socket.	Hydraulic in 5 sections with "Load Sensing" proportional electronic servo-control with "Flow Sharing", 5 simultaneous movements with independent maximum speed control of each movement	Hydraulic in 5 sections with "Load Sensing" proportional electronic servo-control with "Flow Sharing", 5 simultaneous movements with independent maximum speed control of each movement	Hydraulic in 5 sections with "Load Sensing" proportional electronic servo-control with "Flow Sharing", 5 simultaneous movements with independent maximum speed control of each movement

TRANSMISSION

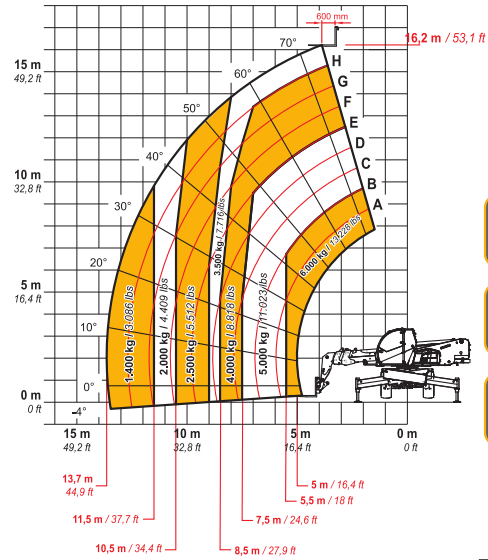
Vehicle model	PEGASUS 60.16	PEGASUS 60.21	PEGASUS 50.25	PEGASUS 75.25	PEGASUS 60.26	PEGASUS 60.30
Transmission type	Hydrostatic with variable displacement pump	Hydrostatic with variable displacement pump	Hydrostatic with variable displacement pump	Hydrostatic with continuous adjustment and electronic control	Hydrostatic with continuous adjustment and electronic control	Hydrostatic with continuous adjustment and electronic control
Hydraulic motor	Hydrostatic with continuous automatic adjustment	Hydrostatic with continuous automatic adjustment	Hydrostatic with continuous automatic adjustment	Hydrostatic with continuous automatic adjustment	Hydrostatic with continuous automatic adjustment	Hydrostatic with continuous automatic adjustment
Reversal	Electro-Hydraulic operated with vehicle in motion	Electro-Hydraulic operated with vehicle in motion	Electro-Hydraulic operated with vehicle in motion	Electro-Hydraulic	Electro-Hydraulic	Electro-Hydraulic
Inching	With electronic pedal for controlled forward movement	With electronic pedal for controlled forward movement	With electronic pedal for controlled forward movement	With electronic pedal for controlled forward movement	With electronic pedal for controlled forward movement	With electronic pedal for controlled forward movement
Transmission gearbox	Servo-controlled 2-speed	Servo-controlled 2-speed	Servo-controlled 2-speed	Servo-controlled 2-speed	Servo-controlled 2-speed	Servo-controlled 2-speed

DIMENSIONS

Vehicle model	PEGASUS 60.16	PEGASUS 60.21	PEGASUS 50.25	PEGASUS 75.25	PEGASUS 60.26	PEGASUS 60.30
A	360 mm (14.2 in)	360 mm (14.2 in)	360 mm (14.2 in)	420 mm (16.5 in)	420 mm (16.5 in)	420 mm (16.5 in)
B	2657 mm (104.6 in)	2835 mm (111.6 in)	3410 mm (134.3 in)	2930 mm (115.4 in)	3239 mm (127.5 in)	3230 mm (127.2 in)
C	2950 mm (116.1 in)	2950 mm (116.1 in)	2950 mm (116.1 in)	3300 mm (129.9 in)	3240 mm (127.6 in)	3300 mm (129.9 in)
D	1364 mm (53.7 in)	1365 mm (53.7 in)	1640 mm (64.6 in)	1870 mm (73.6 in)	1870 mm (73.6 in)	1870 mm (73.6 in)
E	1486 mm (58.5 in)	1665 mm (65.6 in)	2240 mm (88.2 in)	1655 mm (65.2 in)	1370 mm (53.9 in)	1955 mm (77.0 in)
F	5290 mm (208.3 in)	5290 mm (208.3 in)	5290 mm (208.3 in)	6040 mm (237.8 in)	6040 mm (237.8 in)	6040 mm (237.8 in)
G	6970 mm (274.4 in)	7150 mm (281.5 in)	8000 mm (315.0 in)	8100 mm (318.9 in)	8409 mm (331.1 in)	8400 mm (330.7 in)
H	3030 mm (119.3 in)	3030 mm (119.3 in)	3030 mm (119.3 in)	3095 mm (121.9 in)	3095 mm (121.9 in)	3095 mm (121.9 in)
I	980 mm (38.6 in)	980 mm (38.6 in)	980 mm (38.6 in)	980 mm (38.6 in)	980 mm (38.6 in)	980 mm (38.6 in)
L	1920 mm (75.6 in)	1920 mm (75.6 in)	1920 mm (75.6 in)	2000 mm (78.7 in)	2000 mm (78.7 in)	2000 mm (78.7 in)
M	2380 mm (93.7 in)	2380 mm (93.7 in)	2380 mm (93.7 in)	2500 mm (98.4 in)	2500 mm (98.4 in)	2500 mm (98.4 in)
N	5070 mm (199.6 in)	5070 mm (199.6 in)	5070 mm (199.6 in)	5625 mm (221.5 in)	5625 mm (221.5 in)	5625 mm (221.5 in)
O	5489 mm (216.1 in)	5630 mm (221.7 in)	6000 mm (236.2 in)	5830 mm (229.5 in)	5360 mm (211.0 in)	5960 mm (234.6 in)
P	1700 mm (66.9 in)	1700 mm (66.9 in)	1700 mm (66.9 in)	1535 mm (60.4 in)	1535 mm (60.4 in)	1535 mm (60.4 in)
Q	4430 mm (174.4 in)	4430 mm (174.4 in)	4430 mm (174.4 in)	4400 mm (173.2 in)	4400 mm (173.2 in)	4400 mm (173.2 in)
R	4790 mm (188.6 in)	4790 mm (188.6 in)	4790 mm (188.6 in)	4915 mm (193.5 in)	4915 mm (193.5 in)	4915 mm (193.5 in)
S	2581 mm (101.6 in)	2556 mm (100.6 in)	2651 mm (104.4 in)	2752 mm (108.3 in)	2752 mm (108.3 in)	2752 mm (108.3 in)
T	124 mm (4.9 in)	119 mm (4.7 in)	85 mm (3.3 in)	90 mm (3.5 in)	131 mm (5.2 in)	90 mm (3.5 in)



MAX
6000 kg / 13.228 lb

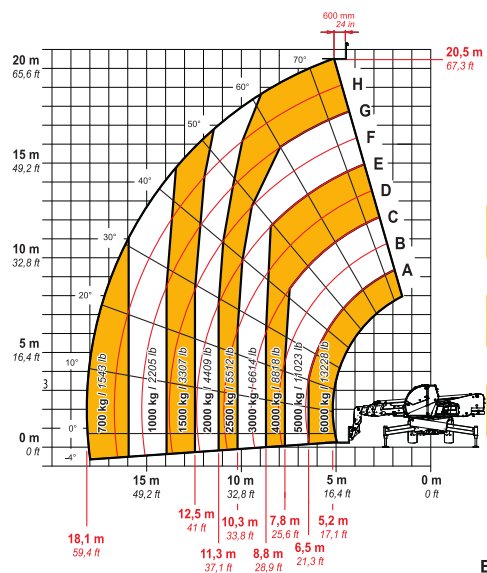


DOCDI0001241



60.16

MAX
6000 kg / 13228 lb

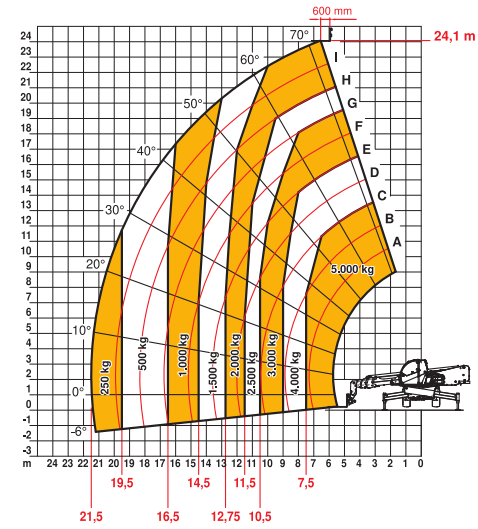


DOCDI0001119



60.21

MAX
5000 kg



DOCDI0001304

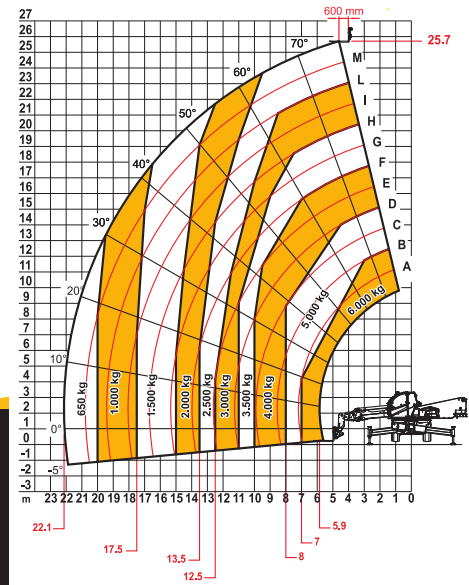


50.25

ON DEMAND

75.25

MAX
6000 kg

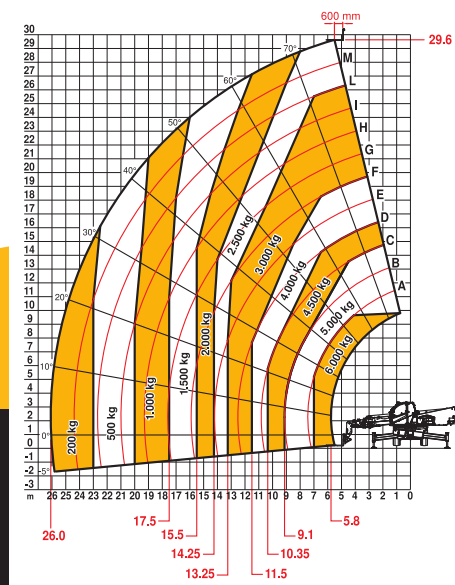


DOCDI0001748



60.26

MAX
6000 kg



DOCDI0001750



60.30



TRISTAR AERIAL
LIFT & EQUIPMENT SALES, INC.