

SKID STEER LOADER ZS090V



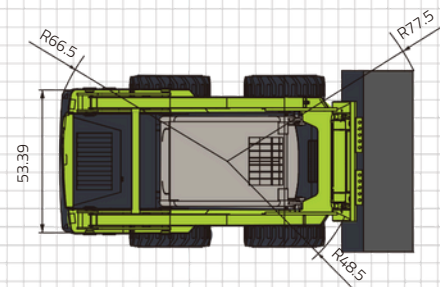
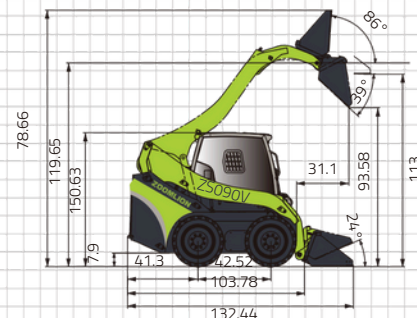
ZOOMLION



TRISTAR AERIAL
LIFT & EQUIPMENT SALES, INC.

SKID STEER LOADER ZS090V

	Items	ZS090V	
Working Performance	Operating Weight	2998 kg	6,600 lbs
	Rated Load	901 kg	1,985 lbs
	Standard Capacity	0.44 m ³	0.575 yd ³
	Max. Traveling Speed	11.5 km/h	7.15 mph
	Boom Breakout Force	16.5 kN	3,709.4 lbf
	Bucket Breakout Force	18.5 kN	4,159 lbf
Engine	Manufacturer	KUBOTA	
	Model	V2403-CR-T	
	Power	48.6 kW/2700 rpm	65.2 HP/2700 rpm
	Emission Standard	EU Stage V/Tier 4F	
Dimensions	Length	3364 mm	132.44 in
	Width	1725 mm	67.91 in
	Height	1998 mm	78.66 in
	Wheelbase	1080 mm	42.52 in
	Tread Width	1356 mm	53.39 in
Operating Range	Max. Operating Altitude	3826 mm	150.63 in
	Dumping Height	2377 mm	93.58 in
	Dumping Reach	790 mm	31.1 in



219 E. Madison St. Dublin, GA 31021
sales@tristaraerial.com (877) 611-0380

ZOOMLION

Zoomlion Heavy Industry Science & Technology Co., Ltd.

Add: No.361, South Yinpen Road, Changsha, Hunan Province, P.R.China 410013

Email: earthmoving@zoomlion.com

Copyright©2023 Zoomlion. All rights reserved. Reproduction and copying of any part of contents is not allowed for any purposes without Zoomlion's approval.
Note: Materials and specifications are subject to change without notice. Featured machines in photos may include additional equipment.

